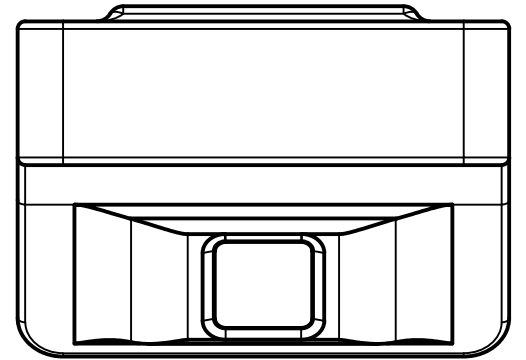
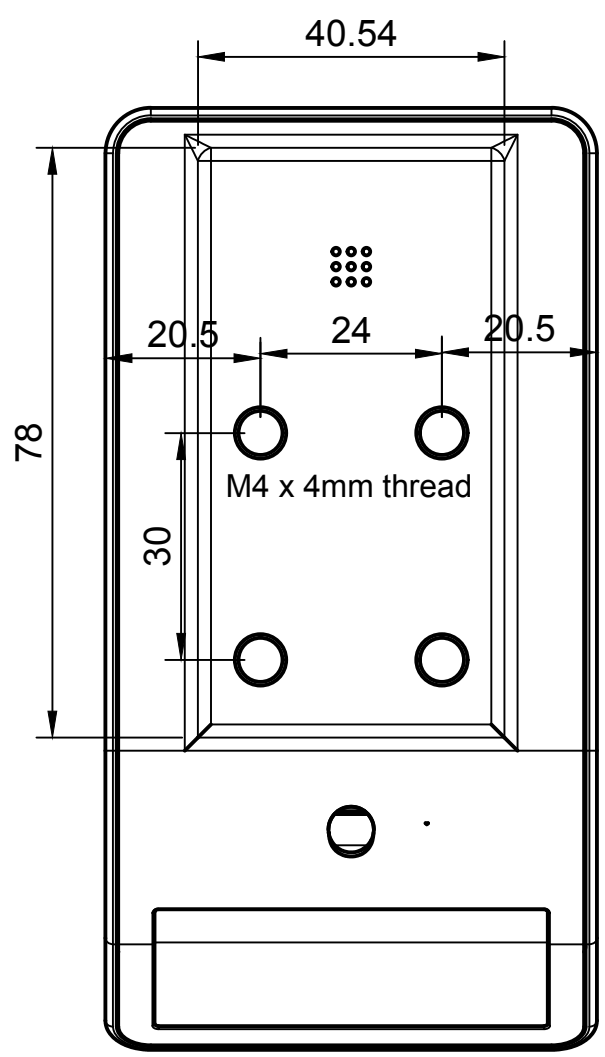
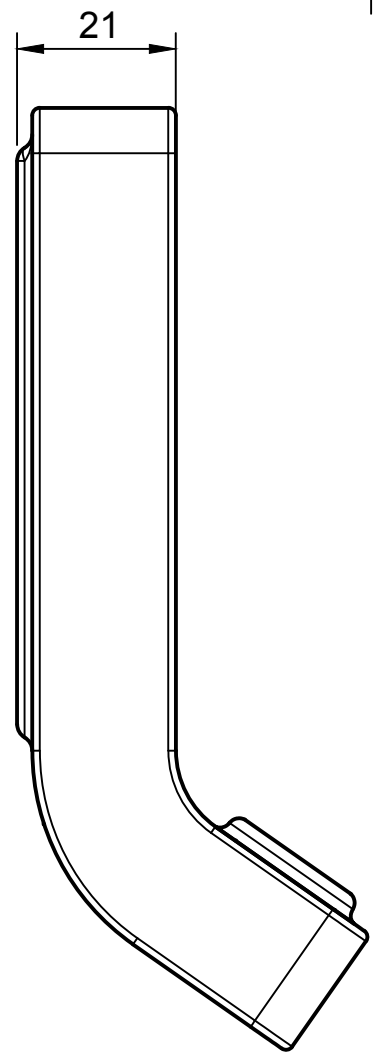
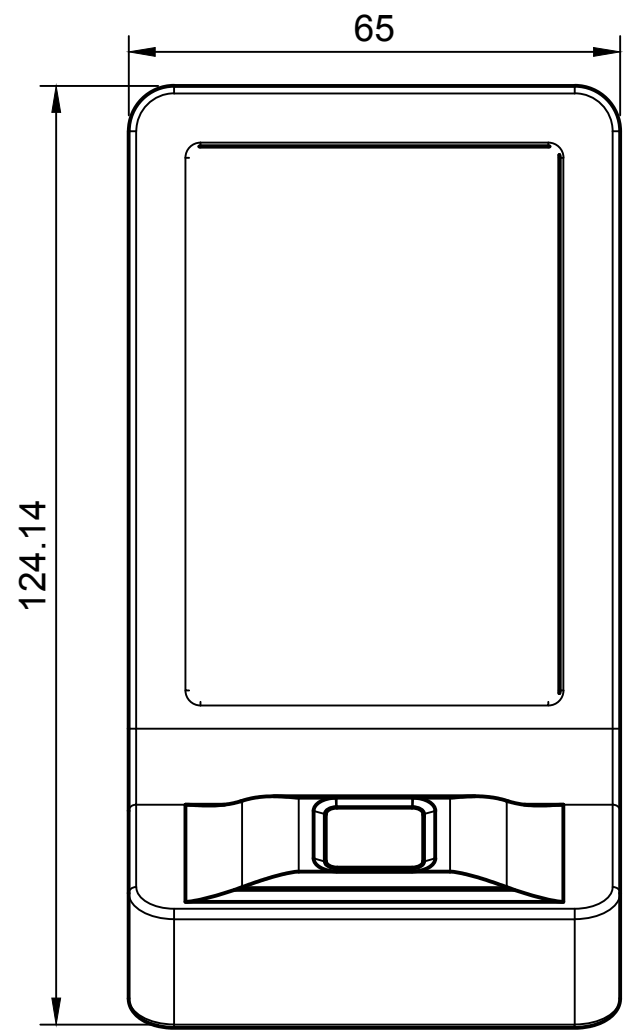


1 2 3 4 5 6 7 8


A
B
C
D
E
F



Connector: FEP 42064400, 1.5mm 4-pin, male
 Pin #1: Input Voltage VIN (18 - 75VDC)
 Pin #2: Input Ground GND
 Pin #3: Relay, normally open
 Pin #4: Relay, common

Power consumption: < 5W
 Max. relay switching current: 10A

Cable length customizable.
 Other connector options available.

Dept. ENG	Technical reference ISO 8015	Created by Ka Man C. Chung 03.01.24	Approved by Julian-C. Huss 03.01.24
		Document type Drawing	Document status Released
		Title Fingerprint Access SA screw mount pattern	
		DWG No. QOC-15-002	
Rev. 01	Date of issue 03.01.24	Sheet 1/1	

1 2 3 4 5 6 7 8

A
B
C
D
E
F